

Complete packaged Burr-Bits fit taps that meet ISO and JIS standards.

BURR-BITS FOR TWO & FOUR FLUTE ISO STANDARD TAPS (DIN 371 and DIN 376)

Dimensions for all in MM				DIN 371		DIN 376	
Tap Size	B	C	D	S	PART#	S	PART#
M3	30.5	20.0	9.5	3.5	030304	2.2	030305
M4	30.5	20.0	9.5	4.5	030404	2.8	030405
M5	33.0	21.0	9.5	6.0	030504	3.5	030505
M6	39.5	25.5	13.0	6.0	030604	4.5	030605
M8	41.0	27.0	14.5	8.0	030804	6.0	030805
M10	43.0	25.0	16.6	10.0	031004	7.0	031005
M12	48.0	29.0	20.6	12.0	031204	9.0	031205
M14	50.5	32.0	25.4	--	--	11.0	031405
M16	50.5	32.0	25.4	--	--	12.0	031605
M18	55.5	32.0	28.5	--	--	14.0	031805
M20	55.5	32.0	28.5	--	--	16.0	032005

BURR-BITS FOR TWO & FOUR FLUTE JIS STANDARD TAPS

Tap Size	B (mm)	C (mm)	D (mm)	S (mm)	PART#
M3	23.0	16.5	9.5	4.0	030309
M4	25.0	16.5	9.5	5.0	030409
M5	26.0	16.5	9.5	5.5	030509
M6	28.5	18.0	12.7	6.0	030609
M8	33.0	19.0	8.0	6.2	030809
M10	36.0	21.5	16.6	7.0	031009
M12	43.5	24.0	20.6	8.5	031209
M14	42.0	25.5	25.4	10.5	031409
M16	47.5	28.5	25.4	12.5	031609
M18	54.0	34.0	28.5	14.0	031809

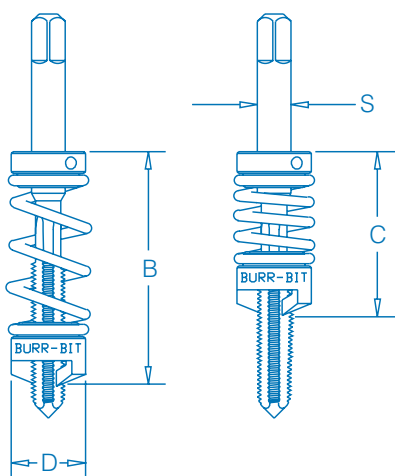
BURR-BITS FOR THREE FLUTE ISO STANDARD TAPS (DIN 371 and DIN 376)

Dimensions for all in MM				DIN 371		DIN 376	
Tap Size	B	C	D	S	PART#	S	PART#
M3	30.5	20.0	9.5	3.5	030354	2.2	030355
M4	30.5	20.0	9.5	4.5	030454	2.8	030455
M5	33.0	21.0	9.5	6.0	030554	3.5	030555
M6	39.5	25.5	13.0	6.0	030654	4.5	030655
M8	41.0	27.0	14.5	8.0	030854	6.0	030855
M10	43.0	25.0	16.6	10.0	031054	7.0	031055
M12	48.0	29.0	20.6	12.0	031254	9.0	031255
M14	50.5	32.0	25.4	--	--	11.0	031455
M16	50.5	32.0	25.4	--	--	12.0	031655
M18	55.5	32.0	28.5	--	--	14.0	031855
M20	55.5	32.0	28.5	--	--	16.0	032055

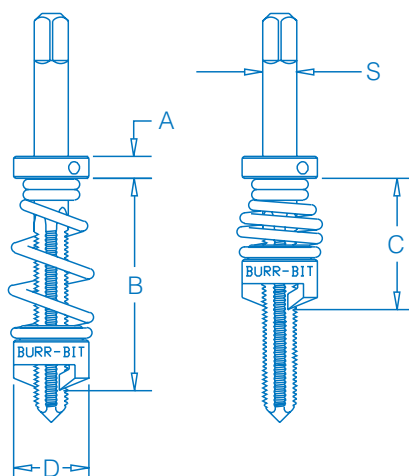
BURR-BITS FOR THREE FLUTE JIS STANDARD TAPS

Tap Size	B (mm)	C (mm)	D (mm)	S (mm)	PART#
M3	23.0	16.5	9.5	4.0	030359
M4	25.0	16.5	9.5	5.0	030459
M5	26.0	16.5	9.5	5.5	030559
M6	28.5	18.0	12.7	6.0	030659
M8	33.0	19.0	8.0	6.2	030859
M10	36.0	21.5	16.6	7.0	031059
M12	43.5	24.0	20.6	8.5	031259
M14	42.0	25.5	25.4	10.5	031459
M16	47.5	28.5	25.4	12.5	031659
M18	54.0	34.0	28.5	14.0	031859

Straight Spring and Collar
ISO Configuration, DIN 371 and DIN 376



Standard Conical and JIS □
Spring and Collar configuration



Deep Hole Deburring Spring and Collar
Configuration

