



Variable position chamfer tool. Drill and deburr or chamfer in one operation!

- Converts any standard twist drill to a step drill or chamfering tool for countersinking and burr removal.
- Stocked for all standard drill sizes from 1/8" to 1" or 3mm to 25.5mm.
- Economical alternative to custom multi-diameter drills.
- Unlike a multi-diameter drill, the Cham-Bit can be disassembled from the drill and easily resharpened over and over.
- Rugged cutter and collar interlock to the drill with a combination of three set-screws forming a positive stop of great strength.
- Optional Stop-Bit back-up spacers can provide an alternative positive stop backed all the way up your tool holder for precise positioning (see page 19).
- Added support of the combination tool reduces chatter and assures concentricity of the chamfer.
- Stocked with standard 90° included angle. 82°, 100° and 120° also available on special order.
- Special orders welcome for drills other than standard jobber drills—such as parabolic, core, inserted, and solid carbide.

FRACTIONAL CHAM-BIT

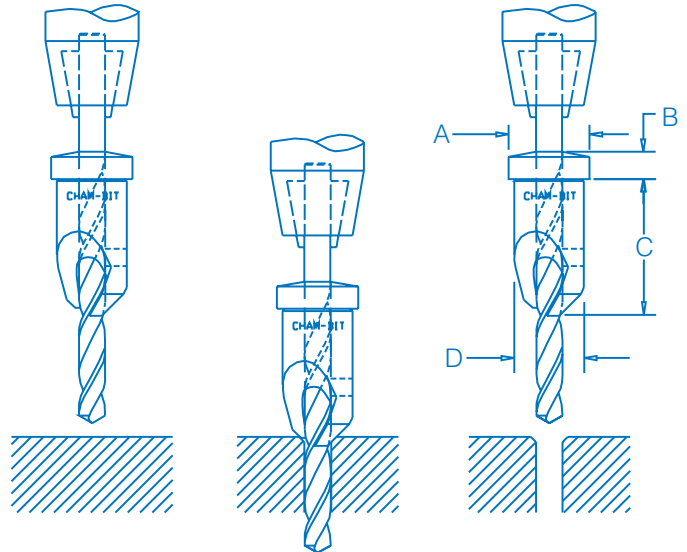
Part Numbers and Dimensional Data

Part #	Item Description	A (in)	B (in)	C (in)	D (in)
CCH-CCH1250	1/8 CHAM-BIT	7/16	1/4	5/8	5/16
CCH-CCH1406	9/64 CHAM-BIT	7/16	1/4	5/8	5/16
CCH-CCH1560	5/32 CHAM-BIT	7/16	1/4	5/8	5/16
CCH-CCH1710	11/64 CHAM-BIT	7/16	1/4	5/8	5/16
CCH-CCH1870	3/16 CHAM-BIT	1/2	1/4	3/4	3/8
CCH-CCH2030	13/64 CHAM-BIT	1/2	1/4	3/4	3/8
CCH-CCH2180	7/32 CHAM-BIT	1/2	1/4	3/4	3/8
CCH-CCH2350	15/64 CHAM-BIT	5/8	1/4	1	1/2
CCH-CCH2490	1/4 CHAM-BIT	5/8	1/4	1	1/2
CCH-CCH2650	17/64 CHAM-BIT	5/8	1/4	1	1/2
CCH-CCH2812	9/32 CHAM-BIT	5/8	1/4	1	1/2
CCH-CCH2960	19/64 CHAM-BIT	5/8	1/4	1	1/2
CCH-CCH3120	5/16 CHAM-BIT	3/4	5/16	1 1/4	5/8
CCH-CCH3280	21/64 CHAM-BIT	3/4	5/16	1 1/4	5/8
CCH-CCH3430	11/32 CHAM-BIT	3/4	5/16	1 1/4	5/8
CCH-CCH3590	23/64 CHAM-BIT	3/4	5/16	1 1/4	5/8
CCH-CCH3750	3/8 CHAM-BIT	3/4	5/16	1 1/4	5/8
CCH-CCH3900	25/64 CHAM-BIT	3/4	5/16	1 1/4	5/8
CCH-CCH4060	13/32 CHAM-BIT	3/4	5/16	1 1/4	5/8
CCH-CCH4210	27/64 CHAM-BIT	3/4	5/16	1 1/4	5/8
CCH-CCH4370	7/16 CHAM-BIT	3/4	5/16	1 1/4	5/8
CCH-CCH4530	29/64 CHAM-BIT	15/16	5/16	1 1/2	13/16
CCH-CCH4680	15/32 CHAM-BIT	15/16	5/16	1 1/2	13/16
CCH-CCH4840	31/64 CHAM-BIT	15/16	5/16	1 1/2	13/16
CCH-CCH5000	1/2 CHAM-BIT	15/16	5/16	1 1/2	13/16
CCH-CCH5150	33/64 CHAM-BIT	15/16	5/16	1 1/2	13/16
CCH-CCH5310	17/32 CHAM-BIT	15/16	5/16	1 1/2	13/16
CCH-CCH5460	35/64 CHAM-BIT	15/16	5/16	1 1/2	13/16
CCH-CCH5620	9/16 CHAM-BIT	15/16	5/16	1 1/2	13/16

FRACTIONAL CHAM-BIT

Part Numbers and Dimensional Data

Part #	Item Description	A (in)	B (in)	C (in)	D (in)
CCH-CCH5780	37/64 CHAM-BIT	15/16	5/16	1 1/2	13/16
CCH-CCH5930	19/32 CHAM-BIT	15/16	5/16	1 1/2	13/16
CCH-CCH6090	39/64 CHAM-BIT	15/16	5/16	1 1/2	13/16
CCH-CCH6250	5/8 CHAM-BIT	1 1/8	3/8	1 5/8	1
CCH-CCH6401	41/64 CHAM-BIT	1 1/8	3/8	1 5/8	1
CCH-CCH6560	21/32 CHAM-BIT	1 1/8	3/8	1 5/8	1
CCH-CCH6710	43/64 CHAM-BIT	1 1/8	3/8	1 5/8	1
CCH-CCH6870	11/16 CHAM-BIT	1 1/8	3/8	1 5/8	1
CCH-CCH7030	45/64 CHAM-BIT	1 1/8	3/8	1 5/8	1
CCH-CCH7180	23/32 CHAM-BIT	1 1/8	3/8	1 5/8	1
CCH-CCH7340	47/64 CHAM-BIT	1 1/8	3/8	1 5/8	1
CCH-CCH7500	3/4 CHAM-BIT	1 5/16	7/16	1 3/4	1 3/16
CCH-CCH7650	49/64 CHAM-BIT	1 5/16	7/16	1 3/4	1 3/16
CCH-CCH7810	25/32 CHAM-BIT	1 5/16	7/16	1 3/4	1 3/16
CCH-CCH7960	51/64 CHAM-BIT	1 5/16	7/16	1 3/4	1 3/16
CCH-CCH8120	13/16 CHAM-BIT	1 5/16	7/16	1 3/4	1 3/16
CCH-CCH8280	53/64 CHAM-BIT	1 5/16	7/16	1 3/4	1 3/16
CCH-CCH8430	27/32 CHAM-BIT	1 5/16	7/16	1 3/4	1 3/16
CCH-CCH8590	55/64 CHAM-BIT	1 5/16	7/16	1 3/4	1 3/16
CCH-CCH8750	7/8 CHAM-BIT	1 7/16	1/2	2	1 5/16
CCH-CCH8900	57/64 CHAM-BIT	1 7/16	1/2	2	1 5/16
CCH-CCH9060	29/32 CHAM-BIT	1 7/16	1/2	2	1 5/16
CCH-CCH9210	59/64 CHAM-BIT	1 7/16	1/2	2	1 5/16
CCH-CCH9370	15/16 CHAM-BIT	1 7/16	1/2	2	1 5/16
CCH-CCH9530	61/64 CHAM-BIT	1 7/16	1/2	2	1 5/16
CCH-CCH9680	31/32 CHAM-BIT	1 7/16	1/2	2	1 5/16
CCH-CCH9840	63/64 CHAM-BIT	1 7/16	1/2	2	1 5/16
CCH-CCH9990	1 CHAM-BIT	1 7/16	1/2	2	1 5/16



LETTER CHAM-BIT

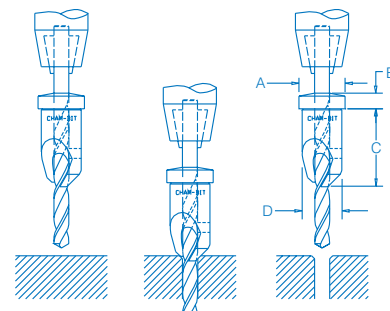
Part Numbers and Dimensional Data

Part #	Item Description	A (in)	B (in)	C (in)	D (in)
CCH-CCH2340	A CHAM-BIT	5/8	1/4	1	1/2
CCH-CCH2380	B CHAM-BIT	5/8	1/4	1	1/2
CCH-CCH2420	C CHAM-BIT	5/8	1/4	1	1/2
CCH-CCH2460	D CHAM-BIT	5/8	1/4	1	1/2
CCH-CCH2501	E CHAM-BIT	5/8	1/4	1	1/2
CCH-CCH2570	F CHAM-BIT	5/8	1/4	1	1/2
CCH-CCH2610	G CHAM-BIT	5/8	1/4	1	1/2
CCH-CCH2660	H CHAM-BIT	5/8	1/4	1	1/2
CCH-CCH2720	I CHAM-BIT	5/8	1/4	1	1/2
CCH-CCH2770	J CHAM-BIT	5/8	1/4	1	1/2
CCH-CCH2790	K CHAM-BIT	5/8	1/4	1	1/2
CCH-CCH2900	L CHAM-BIT	5/8	1/4	1	1/2
CCH-CCH2950	M CHAM-BIT	5/8	1/4	1	1/2
CCH-CCH3020	N CHAM-BIT	5/8	1/4	1	1/2
CCH-CCH3160	O CHAM-BIT	3/4	5/16	1-1/4	5/8
CCH-CCH3230	P CHAM-BIT	3/4	5/16	1-1/4	5/8
CCH-CCH3320	Q CHAM-BIT	3/4	5/16	1-1/4	5/8
CCH-CCH3390	R CHAM-BIT	3/4	5/16	1-1/4	5/8
CCH-CCH3480	S CHAM-BIT	3/4	5/16	1-1/4	5/8
CCH-CCH3580	T CHAM-BIT	3/4	5/16	1-1/4	5/8
CCH-CCH3680	U CHAM-BIT	3/4	5/16	1-1/4	5/8
CCH-CCH3770	V CHAM-BIT	3/4	5/16	1-1/4	5/8
CCH-CCH3860	W CHAM-BIT	3/4	5/16	1-1/4	5/8
CCH-CCH3970	X CHAM-BIT	3/4	5/16	1-1/4	5/8
CCH-CCH4040	Y CHAM-BIT	3/4	5/16	1-1/4	5/8
CCH-CCH4130	Z CHAM-BIT	3/4	5/16	1-1/4	5/8

NUMBER CHAM-BIT

Part Numbers and Dimensional Data

Part #	Item Description	A (in)	B (in)	C (in)	D (in)
CCH-CCH1280	#30 CHAM-BIT	7/16	1/4	5/8	5/16
CCH-CCH1360	#29 CHAM-BIT	7/16	1/4	5/8	5/16
CCH-CCH1400	#28 CHAM-BIT	7/16	1/4	5/8	5/16
CCH-CCH1440	#27 CHAM-BIT	7/16	1/4	5/8	5/16
CCH-CCH1470	#26 CHAM-BIT	7/16	1/4	5/8	5/16
CCH-CCH1490	#25 CHAM-BIT	7/16	1/4	5/8	5/16
CCH-CCH1520	#24 CHAM-BIT	7/16	1/4	5/8	5/16
CCH-CCH1540	#23 CHAM-BIT	7/16	1/4	5/8	5/16
CCH-CCH1570	#22 CHAM-BIT	7/16	1/4	5/8	5/16
CCH-CCH1590	#21 CHAM-BIT	7/16	1/4	5/8	5/16
CCH-CCH1610	#20 CHAM-BIT	7/16	1/4	5/8	5/16
CCH-CCH1660	#19 CHAM-BIT	7/16	1/4	5/8	5/16
CCH-CCH1690	#18 CHAM-BIT	7/16	1/4	5/8	5/16
CCH-CCH1730	#17 CHAM-BIT	7/16	1/4	5/8	5/16
CCH-CCH1770	#16 CHAM-BIT	7/16	1/4	5/8	5/16
CCH-CCH1800	#15 CHAM-BIT	7/16	1/4	5/8	5/16
CCH-CCH1820	#14 CHAM-BIT	1/2	1/4	3/4	3/8
CCH-CCH1850	#13 CHAM-BIT	1/2	1/4	3/4	3/8
CCH-CCH1890	#12 CHAM-BIT	1/2	1/4	3/4	3/8
CCH-CCH1910	#11 CHAM-BIT	1/2	1/4	3/4	3/8
CCH-CCH1930	#10 CHAM-BIT	1/2	1/4	3/4	3/8
CCH-CCH1960	#9 CHAM-BIT	1/2	1/4	3/4	3/8
CCH-CCH1990	#8 CHAM-BIT	1/2	1/4	3/4	3/8
CCH-CCH2010	#7 CHAM-BIT	1/2	1/4	3/4	3/8
CCH-CCH2040	#6 CHAM-BIT	1/2	1/4	3/4	3/8
CCH-CCH2050	#5 CHAM-BIT	1/2	1/4	3/4	3/8
CCH-CCH2090	#4 CHAM-BIT	1/2	1/4	3/4	3/8
CCH-CCH2130	#3 CHAM-BIT	1/2	1/4	3/4	3/8
CCH-CCH2210	#2 CHAM-BIT	1/2	1/4	3/4	3/8
CCH-CCH2280	#1 CHAM-BIT	1/2	1/4	3/4	3/8



METRIC CHAMBIT

Part Numbers and Dimensional Data

Part #	Item Description	A (mm)	B (mm)	C (mm)	D (mm)
CCH-CCM0300	M3.0 CHAM-BIT	12.0	6.5	16.0	8.5
CCH-CCM0310	M3.1 CHAM-BIT	12.0	6.5	16.0	8.5
CCH-CCM0320	M3.2 CHAM-BIT	12.0	6.5	16.0	8.5
CCH-CCM0330	M3.3 CHAM-BIT	12.0	6.5	16.0	8.5
CCH-CCM0340	M3.4 CHAM-BIT	12.0	6.5	16.0	8.5
CCH-CCM0350	M3.5 CHAM-BIT	12.0	6.5	16.0	8.5
CCH-CCM0360	M3.6 CHAM-BIT	12.0	6.5	16.0	8.5
CCH-CCM0370	M3.7 CHAM-BIT	12.0	6.5	16.0	8.5
CCH-CCM0380	M3.8 CHAM-BIT	12.0	6.5	16.0	8.5
CCH-CCM0390	M3.9 CHAM-BIT	12.0	6.5	16.0	8.5
CCH-CCM0400	M4.0 CHAM-BIT	12.0	6.5	16.0	8.5
CCH-CCM0410	M4.1 CHAM-BIT	12.0	6.5	16.0	8.5
CCH-CCM0420	M4.2 CHAM-BIT	12.0	6.5	16.0	8.5
CCH-CCM0430	M4.3 CHAM-BIT	12.0	6.5	16.0	8.5
CCH-CCM0440	M4.4 CHAM-BIT	12.0	6.5	16.0	8.5
CCH-CCM0450	M4.5 CHAM-BIT	12.0	6.5	16.0	8.5
CCH-CCM0460	M4.6 CHAM-BIT	13.0	6.5	19.0	10.0
CCH-CCM0470	M4.7 CHAM-BIT	13.0	6.5	19.0	10.0
CCH-CCM0480	M4.8 CHAM-BIT	13.0	6.5	19.0	10.0
CCH-CCM0490	M4.9 CHAM-BIT	13.0	6.5	19.0	10.0
CCH-CCM0500	M5.0 CHAM-BIT	13.0	6.5	19.0	10.0
CCH-CCM0510	M5.1 CHAM-BIT	13.0	6.5	19.0	10.0
CCH-CCM0520	M5.2 CHAM-BIT	13.0	6.5	19.0	10.0
CCH-CCM0530	M5.3 CHAM-BIT	13.0	6.5	19.0	10.0
CCH-CCM0540	M5.4 CHAM-BIT	13.0	6.5	19.0	10.0
CCH-CCM0550	M5.5 CHAM-BIT	13.0	6.5	19.0	10.0
CCH-CCM0560	M5.6 CHAM-BIT	13.0	6.5	19.0	10.0
CCH-CCM0570	M5.7 CHAM-BIT	13.0	6.5	19.0	10.0
CCH-CCM0580	M5.8 CHAM-BIT	13.0	6.5	19.0	10.0
CCH-CCM0590	M5.9 CHAM-BIT	13.0	6.5	19.0	10.0
CCH-CCM0600	M6.0 CHAM-BIT	16.0	6.5	25.0	13.0
CCH-CCM0610	M6.1 CHAM-BIT	16.0	6.5	25.0	13.0
CCH-CCM0620	M6.2 CHAM-BIT	16.0	6.5	25.0	13.0
CCH-CCM0630	M6.3 CHAM-BIT	16.0	6.5	25.0	13.0
CCH-CCM0640	M6.4 CHAM-BIT	16.0	6.5	25.0	13.0
CCH-CCM0650	M6.5 CHAM-BIT	16.0	6.5	25.0	13.0
CCH-CCM0660	M6.6 CHAM-BIT	16.0	6.5	25.0	13.0
CCH-CCM0670	M6.7 CHAM-BIT	16.0	6.5	25.0	13.0
CCH-CCM0680	M6.8 CHAM-BIT	16.0	6.5	25.0	13.0
CCH-CCM0690	M6.9 CHAM-BIT	16.0	6.5	25.0	13.0
CCH-CCM0700	M7.0 CHAM-BIT	16.0	6.5	25.0	13.0
CCH-CCM0710	M7.1 CHAM-BIT	16.0	6.5	25.0	13.0
CCH-CCM0720	M7.2 CHAM-BIT	16.0	6.5	25.0	13.0
CCH-CCM0730	M7.3 CHAM-BIT	16.0	6.5	25.0	13.0
CCH-CCM0740	M7.4 CHAM-BIT	16.0	6.5	25.0	13.0
CCH-CCM0750	M7.5 CHAM-BIT	16.0	6.5	25.0	13.0
CCH-CCM0760	M7.6 CHAM-BIT	16.0	6.5	25.0	13.0
CCH-CCM0770	M7.7 CHAM-BIT	19.0	8.0	32.0	16.0
CCH-CCM0780	M7.8 CHAM-BIT	19.0	8.0	32.0	16.0
CCH-CCM0790	M7.9 CHAM-BIT	19.0	8.0	32.0	16.0
CCH-CCM0800	M8.0 CHAM-BIT	19.0	8.0	32.0	16.0
CCH-CCM0810	M8.1 CHAM-BIT	19.0	8.0	32.0	16.0
CCH-CCM0820	M8.2 CHAM-BIT	19.0	8.0	32.0	16.0
CCH-CCM0830	M8.3 CHAM-BIT	19.0	8.0	32.0	16.0
CCH-CCM0840	M8.4 CHAM-BIT	19.0	8.0	32.0	16.0

METRIC CHAMBIT

Part Numbers and Dimensional Data

Part #	Item Description	A (mm)	B (mm)	C (mm)	D (mm)
CCH-CCM0850	M8.5 CHAM-BIT	19.0	8.0	32.0	16.0
CCH-CCM0860	M8.6 CHAM-BIT	19.0	8.0	32.0	16.0
CCH-CCM0870	M8.7 CHAM-BIT	19.0	8.0	32.0	16.0
CCH-CCM0880	M8.8 CHAM-BIT	19.0	8.0	32.0	16.0
CCH-CCM0890	M8.9 CHAM-BIT	19.0	8.0	32.0	16.0
CCH-CCM0900	M9.0 CHAM-BIT	19.0	8.0	32.0	16.0
CCH-CCM0910	M9.1 CHAM-BIT	19.0	8.0	32.0	16.0
CCH-CCM0920	M9.2 CHAM-BIT	19.0	8.0	32.0	16.0
CCH-CCM0930	M9.3 CHAM-BIT	19.0	8.0	32.0	16.0
CCH-CCM0940	M9.4 CHAM-BIT	19.0	8.0	32.0	16.0
CCH-CCM0950	M9.5 CHAM-BIT	19.0	8.0	32.0	16.0
CCH-CCM0960	M9.6 CHAM-BIT	19.0	8.0	32.0	16.0
CCH-CCM0970	M9.7 CHAM-BIT	19.0	8.0	32.0	16.0
CCH-CCM0980	M9.8 CHAM-BIT	19.0	8.0	32.0	16.0
CCH-CCM0990	M9.9 CHAM-BIT	19.0	8.0	32.0	16.0
CCH-CCM1000	M10.0 CHAM-BIT	19.0	8.0	32.0	16.0
CCH-CCM1010	M10.1 CHAM-BIT	19.0	8.0	32.0	16.0
CCH-CCM1020	M10.2 CHAM-BIT	19.0	8.0	32.0	16.0
CCH-CCM1030	M10.3 CHAM-BIT	19.0	8.0	32.0	16.0
CCH-CCM1040	M10.4 CHAM-BIT	19.0	8.0	32.0	16.0
CCH-CCM1050	M10.5 CHAM-BIT	19.0	8.0	32.0	16.0
CCH-CCM1060	M10.6 CHAM-BIT	19.0	8.0	32.0	16.0
CCH-CCM1070	M10.7 CHAM-BIT	19.0	8.0	32.0	16.0
CCH-CCM1080	M10.8 CHAM-BIT	19.0	8.0	32.0	16.0
CCH-CCM1090	M10.9 CHAM-BIT	19.0	8.0	32.0	16.0
CCH-CCM1100	M11.0 CHAM-BIT	19.0	8.0	32.0	16.0
CCH-CCM1150	M11.5 CHAM-BIT	24.0	8.0	38.0	21.0
CCH-CCM1200	M12.0 CHAM-BIT	24.0	8.0	38.0	21.0
CCH-CCM1250	M12.5 CHAM-BIT	24.0	8.0	38.0	21.0
CCH-CCM1300	M13.0 CHAM-BIT	24.0	8.0	38.0	21.0
CCH-CCM1350	M13.5 CHAM-BIT	24.0	8.0	38.0	21.0
CCH-CCM1400	M14.0 CHAM-BIT	24.0	8.0	38.0	21.0
CCH-CCM1450	M14.5 CHAM-BIT	24.0	8.0	38.0	21.0
CCH-CCM1500	M15.0 CHAM-BIT	24.0	8.0	38.0	21.0
CCH-CCM1550	M15.5 CHAM-BIT	28.5	10.0	41.0	26.0
CCH-CCM1600	M16.0 CHAM-BIT	28.5	10.0	41.0	26.0
CCH-CCM1650	M16.5 CHAM-BIT	28.5	10.0	41.0	26.0
CCH-CCM1700	M17.0 CHAM-BIT	28.5	10.0	41.0	26.0
CCH-CCM1750	M17.5 CHAM-BIT	28.5	10.0	41.0	26.0
CCH-CCM1800	M18.0 CHAM-BIT	28.5	10.0	41.0	26.0
CCH-CCM1850	M18.5 CHAM-BIT	28.5	10.0	41.0	26.0
CCH-CCM1900	M19.0 CHAM-BIT	33.5	11.5	44.5	30.5
CCH-CCM1950	M19.5 CHAM-BIT	33.5	11.5	44.5	30.5
CCH-CCM2000	M20.0 CHAM-BIT	33.5	11.5	44.5	30.5
CCH-CCM2050	M20.5 CHAM-BIT	33.5	11.5	44.5	30.5
CCH-CCM2100	M21.0 CHAM-BIT	33.5	11.5	44.5	30.5
CCH-CCM2150	M21.5 CHAM-BIT	33.5	11.5	44.5	30.5
CCH-CCM2200	M22.0 CHAM-BIT	33.5	11.5	44.5	30.5
CCH-CCM2250	M22.5 CHAM-BIT	36.5	12.5	50.5	34.5
CCH-CCM2300	M23.0 CHAM-BIT	36.5	12.5	50.5	34.5
CCH-CCM2350	M23.5 CHAM-BIT	36.5	12.5	50.5	34.5
CCH-CCM2400	M24.0 CHAM-BIT	36.5	12.5	50.5	34.5
CCH-CCM2450	M24.5 CHAM-BIT	36.5	12.5	50.5	34.5
CCH-CCM2500	M25.0 CHAM-BIT	36.5	12.5	50.5	34.5
CCH-CCM2550	M25.5 CHAM-BIT	36.5	12.5	50.5	34.5