

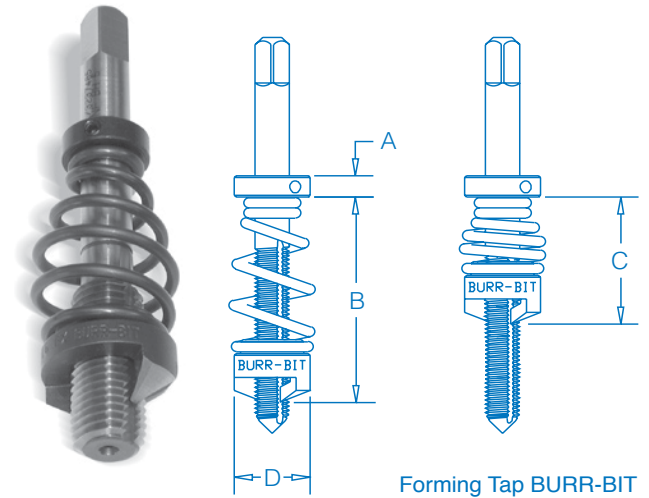
FORMING TAP and PIPE TAP BURR-BIT®

Burr-Bits designed for Forming Taps!

- Burr-Bit models specifically designed to fit oil/vent grooves of forming taps.
- Tap and deburr in one operation. More production – less downtime.
- Eliminates material drawn up above the surface by forming taps.
- Deburrs the top of the tapped hole as the tap is being withdrawn.
- Burr removal eliminates sharp edges—providing a smooth surface for mating components.
- 120° cutter angle standard (82°, 90°, 100°, etc. are available upon request).
- Tap and Burr-Bit can both be supplied for a perfect fit. No need to shop for tap fit. We guarantee these!
- For forming tap brands that are manufactured to fit Burr-Bits, contact Vernon.

BURR-BIT FOR FORMING TAPS FRACTIONAL, MACHINE SCREW AND METRIC

Part# UNC/UNF	Tap Size	Part # (Metric)	Tap Size	A (in)	B (in)	C (in)	D (in)
20410	#4	—	—	.17	.85	.56	.375
20510	#5	30310	M3	.17	.87	.56	.375
20610	#6	—	—	.17	.87	.56	.375
20710	#8	30320	M3.5	.17	.87	.62	.375
—	—	30410	M4	.17	.87	.62	.375
20810	#10	30510	M5	.17	1.06	.62	.375
20910	#12	—	—	.17	1.06	.62	.375
21110	1/4	30610	M6	.17	1.14	.75	.500
21210	5/16	30810	M8	.17	1.25	.85	.562
21310	3/8	31010	M10	.17	1.37	.87	.656
21410	7/16	—	—	.17	1.75	.87	.812
21510	1/2	31210	M12	.17	1.80	1.00	.812



Burr-Bits for PipeTaps!

- Burr-Bits specifically designed for NPT and NPS pipe taps are stocked for immediate delivery in sizes from 1/8" to 1".
- Larger models are available by special order.
- Highly recommended where a clean chamfer-to-thread transition is required for pipe fitting assemblies.

BURR-BIT FOR PIPE TAPS NPT / NPS

Part#	Style	Collar ID (in)	Cutting Lips	O.D. (in)	Relaxed Length (in)	Compressed Length (in)
041101	1/8-2PT	.312	2	.656	1.06	.62
041107	1/8-5PT	.312	5	.656	1.06	.62
041100*	1/8-2PT	.437	2	.656	1.06	.62
041106	1/8-5PT	.437	5	.656	1.06	.62
041200*	1/4-2PT	.562	2	.812	1.31	.75
041203	1/4-5PT	.562	5	.812	1.31	.75
041300*	3/8-4PT	.700	4	1.125	1.31	.87
041302	3/8-5PT	.700	5	1.125	1.31	.87
041400*	1/2-4PT	NONE	4	1.500	1.37	.87
041402	1/2-5PT	NONE	5	1.500	1.37	.87
041500*	3/4-5PT	NONE	5	1.500	1.50	.87
041502	3/4-4PT	NONE	4	1.500	1.50	.87
041600*	1-5PT	NONE	5	1.875	1.87	1.12

* Indicates most common items

