

# SPOT-BIT® and SINK-BIT®



**Spot-Bit**



**Sink-Bit**

## Combination Drill and Spot-facing or Drill and Countersinking Tools.

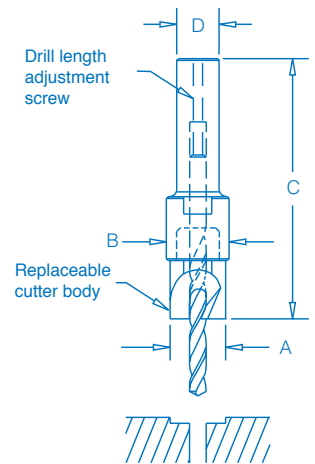
- Drill and spot face, or drill and countersink, in one operation!
- Highly recommended where counter sinking and spot facing must be perfectly aligned with drilled holes.
- Rigid tool holder and cutter heads encase nearly the entire drill for outstanding support.
- Positive stop screw in the shank provides drill length adjustment.
- Dual set-screws in the cutter head provide secure support and driving force.
- Robust cutter heads can be sharpened repeatedly and are easily replaced.
- Sink-Bits are available from 1/8" to 35/64" and 3mm to 14mm, with countersink angles of 82° or 90°. Other angles available on special order.
- Spot-Bits are available from 1/8" to 35/64" and 3mm to 14mm, and can counter-bore to approximately 1/8" deep.
- Sink-Bits can be made available at special angles other than 82° or 90°.
- Spot-Bit cutter diameters can be altered to meet specific needs.

### SPOT-BIT FRACTIONAL, NUMBER, LETTER AND METRIC SIZES

Part #	Drill Size Range	Part# (Metric)	Drill Size Range	A (in)	B (in)	C (in)	D (in)
CSPH-	.1250-.1660	CSPM-	M3 - M4	1/2	5/8	3-3/16	1/2
CSPH-	.1690-.2050	CSPM-	M4.5 - M5	1/2	5/8	3-9/16	1/2
CSPH-	.2090-.2812	CSPM-	M5.5 - M7	13/16	7/8	4-1/8	3/4
CSPH-	.2900-.3480	CSPM-	M7.5 - M9	13/16	7/8	4-1/2	3/4
CSPH-	.3580-.4530	CSPM-	M9.5 - M11.5	1- 1/8	1-1/4	5-1/8	7/8
CSPH-	.4680-.5460	CSPM-	M12 - M14	1- 1/8	1-1/4	6-1/8	7/8

NOTE: All complete tool part numbers are preceded by CSPH-\_\_\_\_ or CSPM-\_\_\_\_, followed by the drill diameter (eg. CSPH-2500 = 1/4" Spot-Bit). For replacement cutter head only, omit the prefix 'C'.

(See [www.VernonDevices.com](http://www.VernonDevices.com) for complete details.)



### SINK-BIT FRACTIONAL, NUMBER, LETTER AND METRIC SIZES

Part # 82°	Part # 90°	Drill Size Range	Part# 82° (Metric)	Part # 90° (Metric)	Drill Size Range	A (in)	B (in)	C (in)	D (in)
CSKH82-	CSKH90-	.1250-.1660	CSKM82-	CSKM90-	M3-M4	1/2	5/8	3-3/16	1/2
CSKH82-	CSKH90-	.1690-.2050	CSKM82-	CSKM90-	M4.5-M5	1/2	5/8	3-9/16	1/2
CSKH82-	CSKH90-	.2090-.2812	CSKM82-	CSKM90-	M5.5-M7	13/16	7/8	4-1/8	3/4
CSKH82-	CSKH90-	.2900-.3480	CSKM82-	CSKM90-	M7.5-M9	13/16	7/8	4-1/2	3/4
CSKH82-	CSKH90-	.3580-.4530	CSKM82-	CSKM90-	M9.5-M11.5	1-1/8	1-1/4	5-1/8	7/8
CSKH82-	CSKH90-	.4680-.5460	CSKM82-	CSKM90-	M12-M14	1-1/8	1-1/4	6-1/8	7/8

NOTE: All complete tool part numbers are preceded by CSKH82-, CSKH90-, CSKM82 & CSKM90, followed by the drill diameter (eg. CSKH90-2500 = 90° 1/4" Sink-Bit). For replacement cutter head only, omit the prefix "C".

(See [www.VernonDevices.com](http://www.VernonDevices.com) for complete details.)

